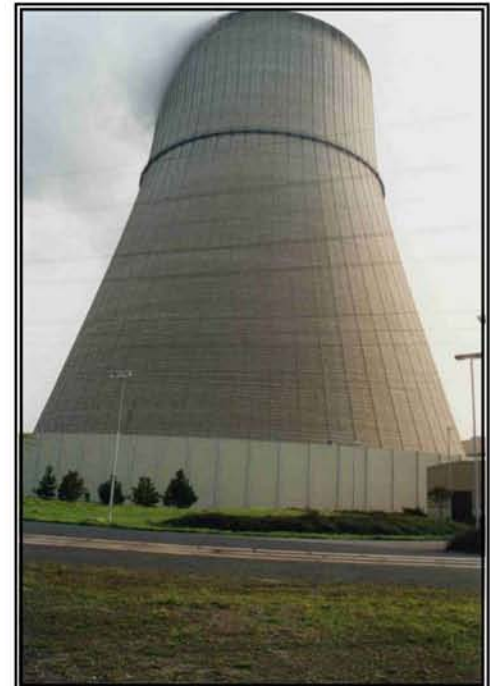




## Type A3-b

### Noise Protection Panel Made of Aluminium (Two-sided Highly Absorptive)



The two-sided highly absorptive noise protection panel consisting of sea-water resistant aluminium is powder coated outside. It is made of structural bearing continuous profiles, roll-formed lateral aluminium parts and vertically stabilizing end caps. It has been specially designed for installation in posts of the HE\_160 series. By using corresponding adapters it can also be installed in wider posts.

#### Technical Data:

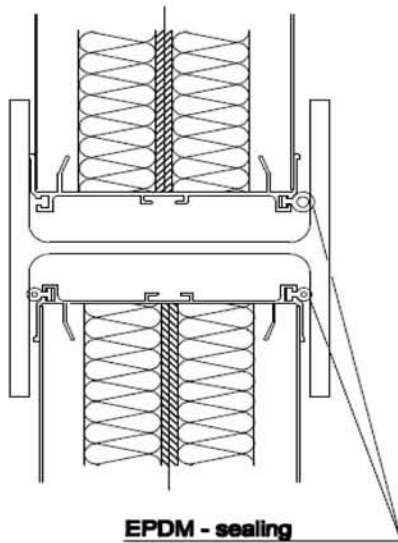
Element height: 500 mm  
 Element thickness: approx. 125 mm  
 Maximum post distance: variable up to 5000 mm

Sound absorption:	
Rili 804.5501	DIN EN 1793-1 DL <sub>A</sub>
erfüllt	12 dB = A4

Transmission loss:		
Rili 804.5501	DIN EN ISO 140-3 R' <sub>w</sub>	DIN EN 1793-2 DL <sub>R</sub>
erfüllt	30 dB	25 dB = B3

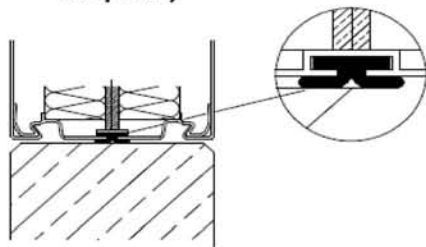


# Typ A3-b

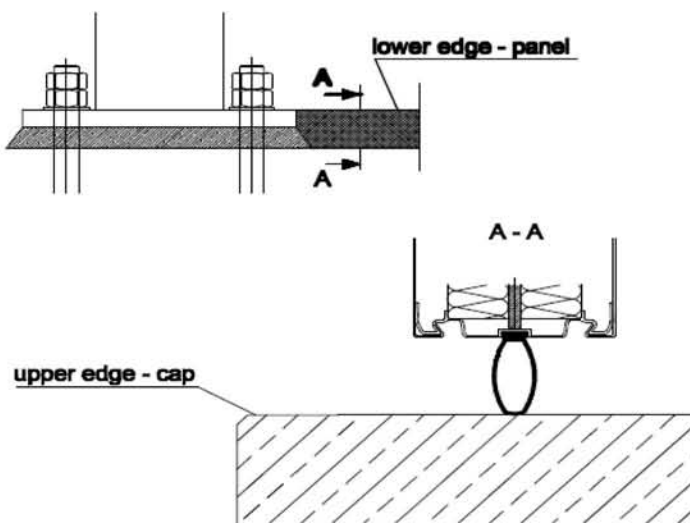


EPDM - sealing

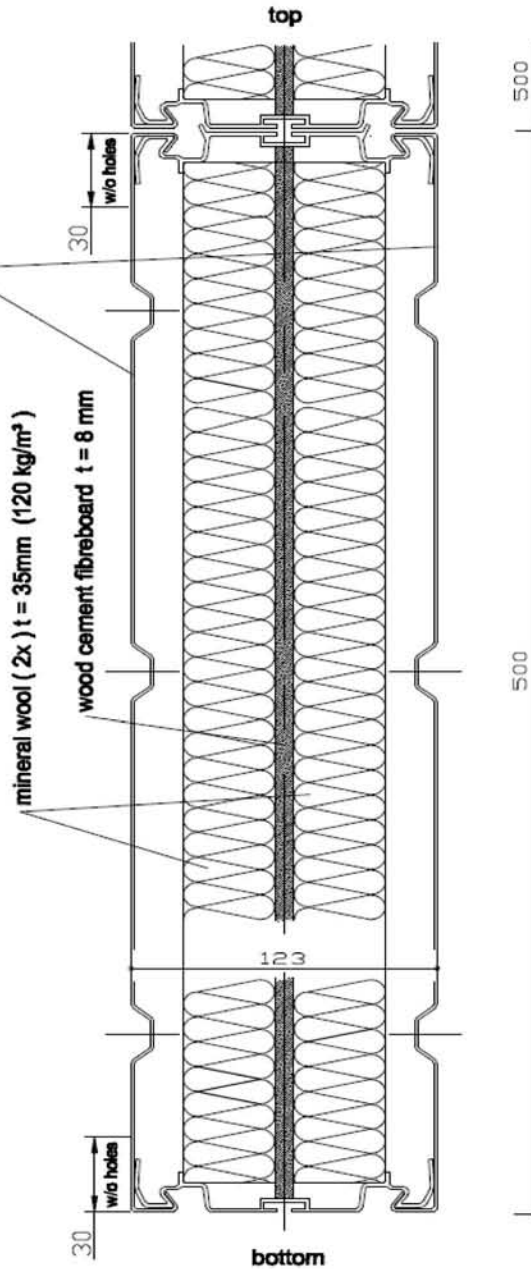
Detail 1: Type A3-b with strut sealing (sealing between concrete and panel)



Detail 2: Type A3-b with EPDM - hollow sealing (close of gap between upper edge of cap and lower edge of panel)



aluminium plate  $t = 1.25$  mm with longitudinal profiles, perforated,  
 hole diameter 5 mm,  
 - percentage of holes with reference to the perforated surface 31 %, - referred to the complete surface 27 %



mineral wool ( 2x )  $t = 35$ mm ( 120 kg/m<sup>3</sup> )

wood cement fibreboard  $t = 8$  mm