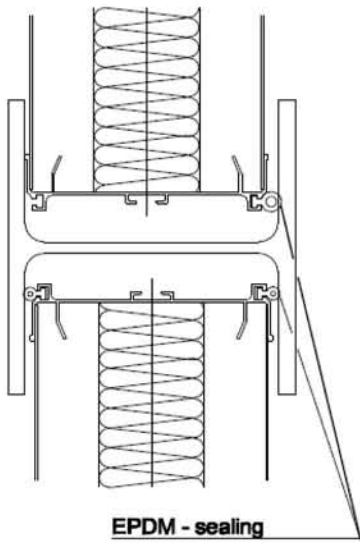
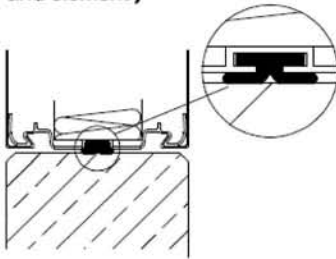




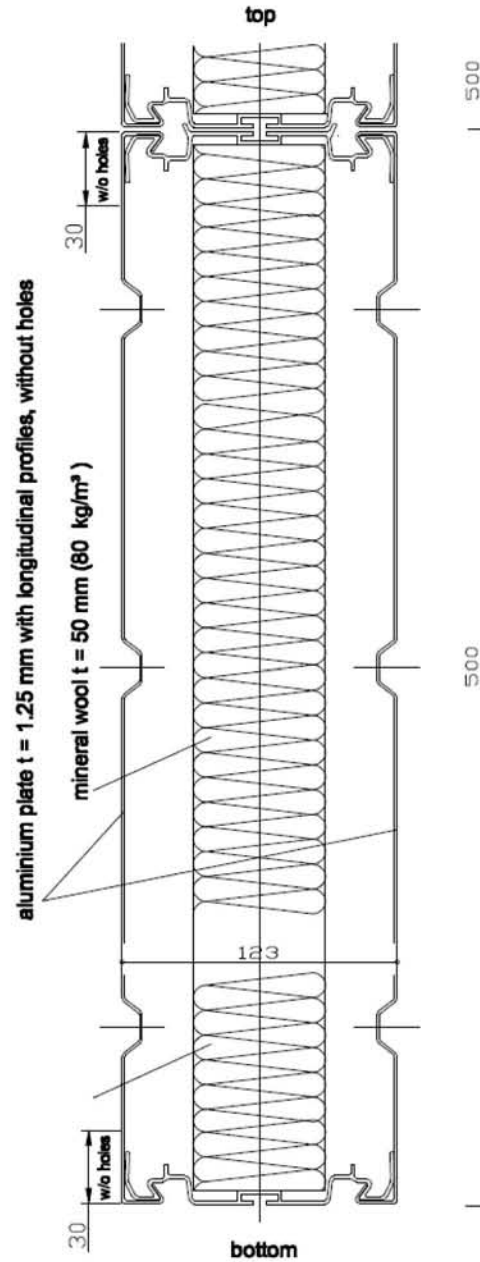
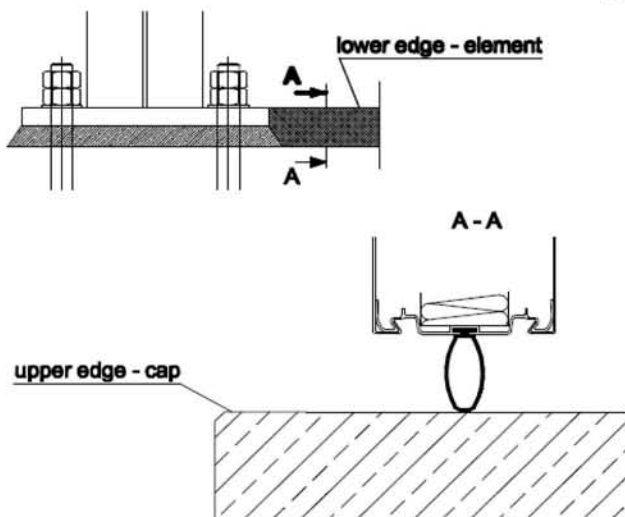
Typ A3-r



Detail 1: Type A3-r with strut sealing
(Sealing between concrete
and element)



Detail 2: Type A3-r with EPDM - hollow sealing
(close of gap between upper edge of
cap and lower edge of element)



DUBLIN OFFICE

MOTORWAY CARE Crofton House Unit 5 Greenhills Ind Est Walkinstown Dublin 12 IRELAND
Tel + 353 1 4569888 Fax + 353 1 4569898 Mobile + 353 87 2597087



Type A3-r

Noise Protection Panel Made of Aluminium (Reflective Panel)



The reflective noise protection panel consisting of sea-water resistant aluminium is powder coated outside. It is made of structural bearing continuous profiles, roll-formed lateral aluminium parts and vertically stabilizing end caps. It has been specially designed for installation in posts of the HE_160 series. By using corresponding adapters it can also be installed in wider posts.

Technical Data:

Element height: 500 mm
 Element thickness: approx. 125 mm
 Maximum post distance: variable up to 5000 mm

Transmission loss:		
Rili 804.5501	DIN EN ISO 140-3 R _w	DIN EN 1793-2 DL _R
erfüllt	33 dB	27 dB = B3