



Type A7-e

Noise Protection Panel Made of Aluminium (One Side Highly Absorptive)



The single-sided highly absorptive noise protection panel consisting of sea-water resistant aluminium is powder coated outside. It is made of structural bearing roll-formed and folded lateral aluminium parts and vertically stabilizing end caps. It has been designed for installation in posts of the HE_160 series.

Technical Data:

Element height:	500 mm
Element thickness:	approx. 125 mm
Maximum post distance:	variable up to 5000 mm
Thickness of sheet metal:	1,00 mm / 1,50 mm

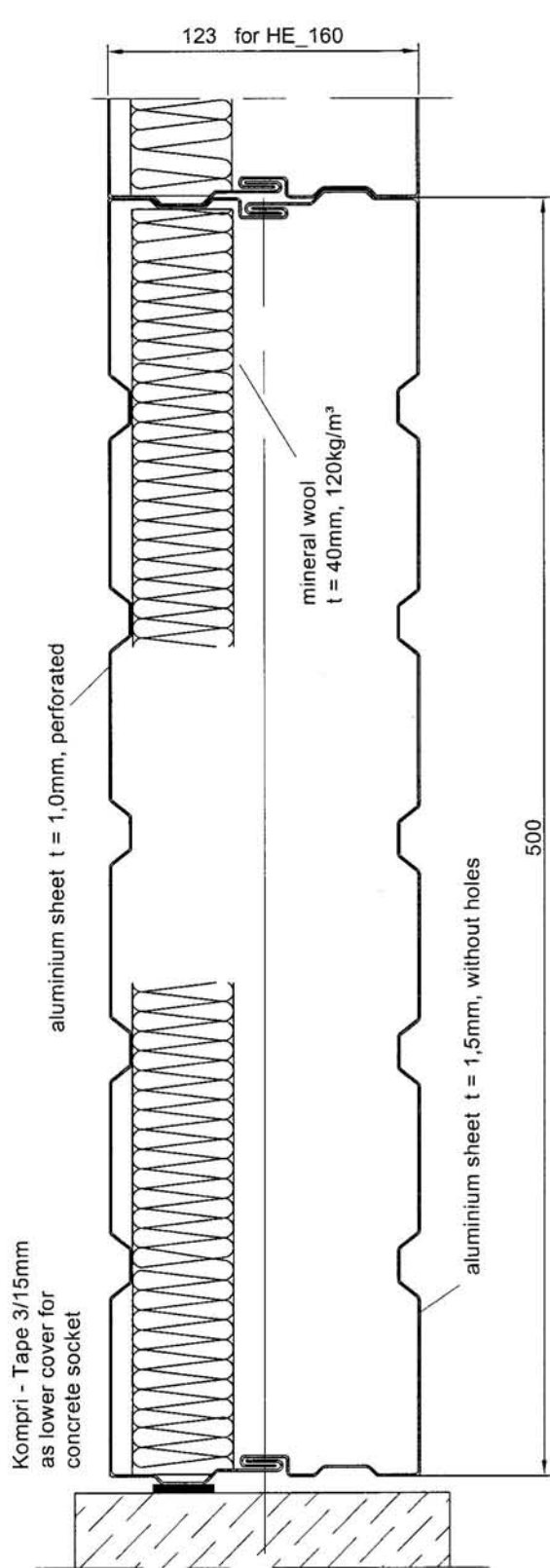
Sound absorption:
DIN EN 1793-1 DL _A
13 dB = A4

Transmission loss:	
DIN EN ISO 140-3 R' _w	DIN EN 1793-2 DL _R
32 dB	26 dB = B3

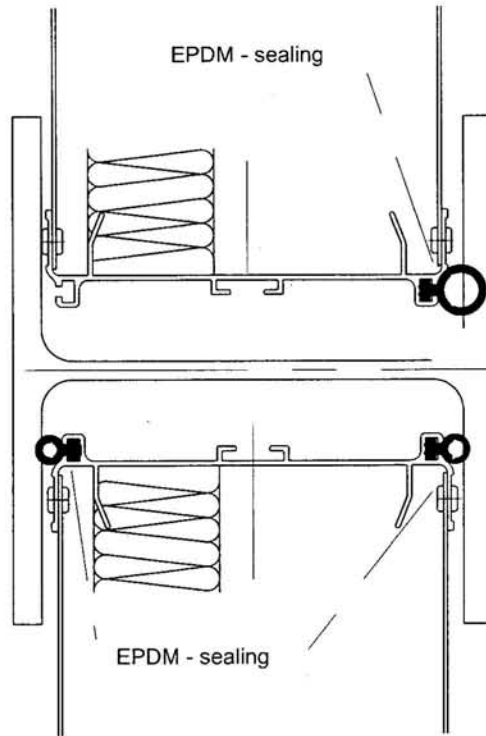
08/2012



Type A7-e



Installation in HE _ 160



08/2012

DUBLIN OFFICE

MOTORWAY CARE Crofton House Unit 5 Greenhills Ind Est Walkinstown Dublin 12 IRELAND

Tel + 353 1 4569888 Fax + 353 1 4569898 Mobile + 353 87 2597087